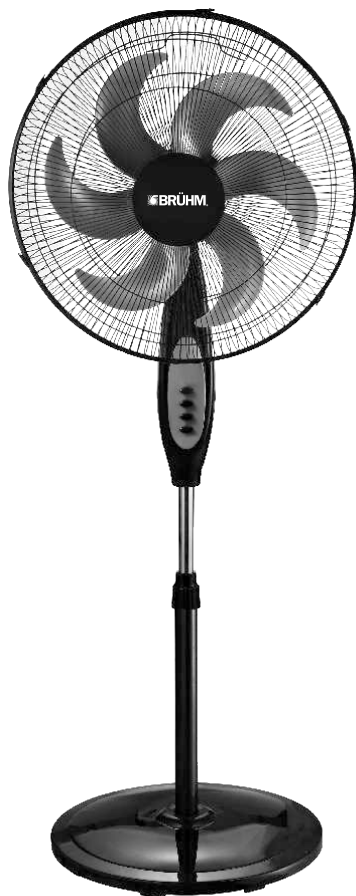




OWNER'S MANUAL

18" STAND FAN
MODEL: BES-18EB



READ AND SAVE THESE INSTRUCTIONS

Attention: Pictures in the IM are for reference only.

CAUTION

Read Rules for Safe Operation and Instructions Carefully.

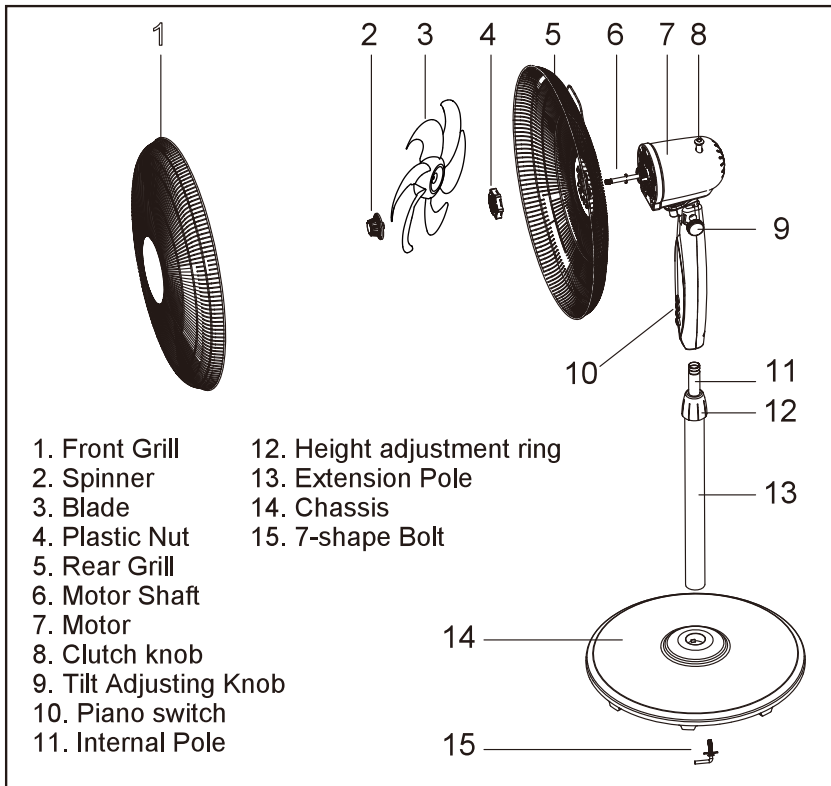
WARNING

1. If the supply cord is damaged, it must be replaced by manufacturer or its service agent or a similarly qualified person in order to avoid a hazard.
2. To protect against the risk of electrical shock, do not immerse the unit, cord or plug in water or other liquid.
3. This appliance is not intended for use by persons (including children) with reduced physical, sensory or mental capabilities, or lack of experience and knowledge, unless they have been given supervision or instruction concerning use of the appliance by a person responsible for their safety. Children should be supervised to ensure that they do not play with the appliance.
4. When the appliance is not in use and before cleaning, unplug the appliance from the outlet.
5. Keep electrical appliances out of reach from Children or infirm persons. Do not let them use the appliances without supervision.
6. When the fan was assembled, the rotor blade guard shall not be taken off anymore
 - Prior cleaning unplug the fan.
 - The rotor guard shall not be disassembled/opened to clean the rotor blades.
 - Wipe the fan enclosure and rotor blade guard with a slightly damp cloth.

RULES FOR SAFE OPERATION

1. Never insert fingers, pencils, or any other object through the grille when fan is running.
2. Disconnect fan when moving from one location to another.
3. Be sure fan is on a stable surface when operating to avoid overturning.
4. DO NOT use fan in window, rain may create electrical hazard.
5. Household use only.

PART FIGURE

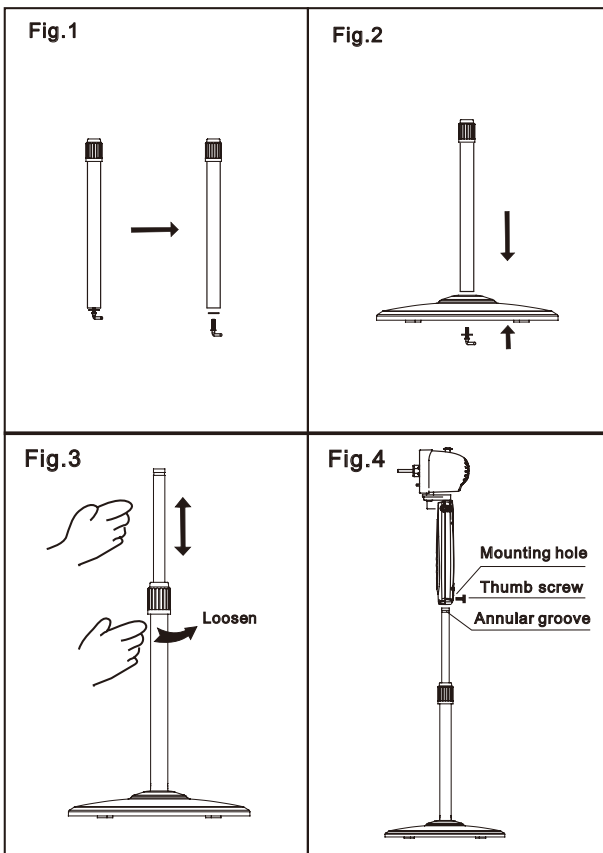


Note: All the pictures in this manual are for explanation purpose only. Any discrepancy between the real object and the illustration in the drawing shall be subject to the real subject.

ASSEMBLY OF CHASSIS & COLUMN UNIT

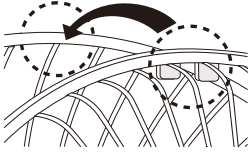
1. Unscrew the 7-shape Bolt from the Extension Pole. (Fig.1)
2. Insert the extension pole into the chassis and tighten the 7-shape Bolt (Fig.2)
3. From the extension pole loosen the height adjustment ring and adjust the internal pole to the desired height. (Note: If you can't find the internal pole, it must inside the extension pole. You can pull it out from the extension pole.) (Fig.3)
4. To attach the head unit to the internal pole, loosen the thumb screw on the bottom of the head unit. Place the head unit on the internal pole and tighten the thumb screw in alignment with the groove on the internal pole. (Fig.4)

CAUTION: Height adjustment ring must be fully fastened before the assembly of the motor section to the internal pole.

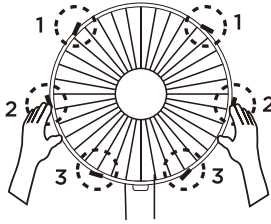


Front and Rear Guard Installation

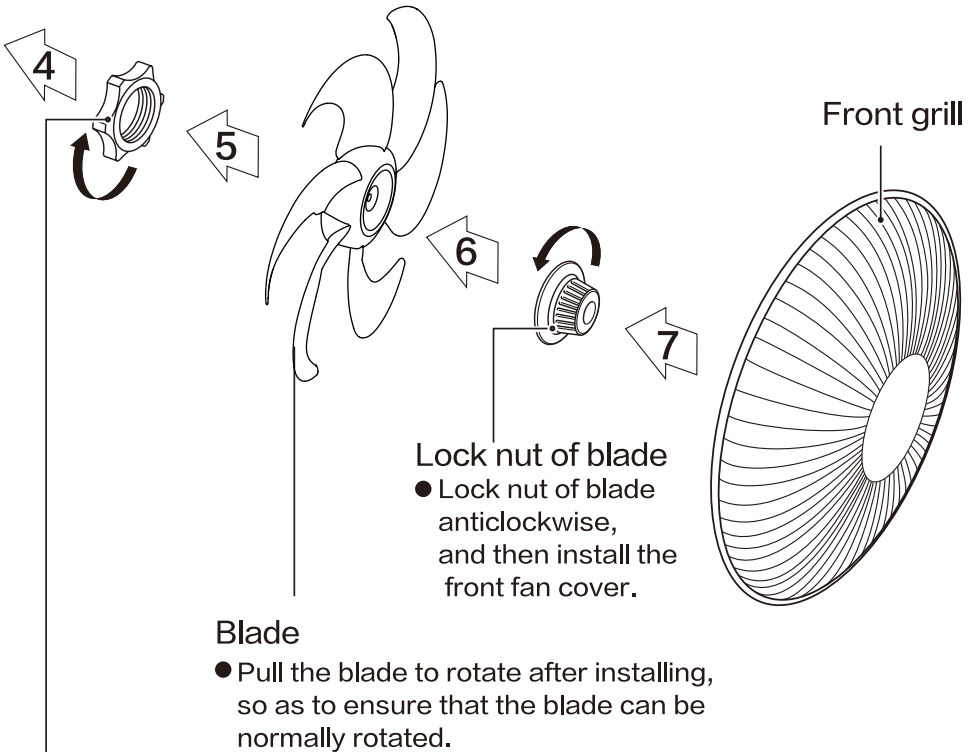
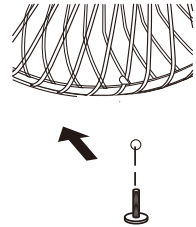
Align the Front Guard and the Rear Guard



Put the grille net to tight the front Guard



Use the screw to fix the grille



Lock nut of grill

- Screw the lock nut of grill clockwise, and in the meantime, fix the rear grill.

OPERATING INSTRUCTION

1. Speed is controlled by pressing the piano switch.
0---Off 1---Low 2---Medium 3---High
2. To make/stop the fan head oscillate. Push down/pull up the clutch knob.
3. The airflow can be adjusted upward or downward by loosening the tilt adjustment knob and adjusted the vertical angle as desired. Retighten the knob securely.
4. The height of the fan can be adjusted by loosening the height adjustment ring, carefully raising or lowering the fan and firmly re-tightening the height adjustment ring.

MAINTENANCE INSTRUCTION

The fan requires little maintenance. Do not try to fix it by yourself. Refer it to qualified service personnel if service is needed.

1. Before cleaning and assembling, fan must be unplugged.
2. To ensure adequate air circulation to the motor, keep vents at the rear of the motor free of dust. Do not disassemble the fan to remove dust.
3. Please wipe the exterior parts with a soft cloth soaking a mild detergent.
4. Do not use any abrasive detergent or solvents to avoid scratching the surface. Do not use any of the following as a cleaner: gasoline, thinner.
5. Do not allow water or any other liquid into the motor housing or interior parts.

CLEANING

1. Be sure to unplug from the electrical supply source before cleaning.
2. Plastic parts should be cleaned with a soft cloth moisten with mild soap. Thoroughly remove soap film with dry cloth.

Environment Friendly Disposal



You can help protect environment
please remember to respect the local regulations
hand in the non-working electrical equipments to
an appropriate waste disposal center

BRÜHM products are intended for household use only

BRÜHM has policy of continuous improvement in
product quality and design. The company, therefore
reserves the right to change the specification of its model at
any time.