



OWNER'S MANUAL

16" STAND FAN
MODEL: BES-16EB




READ AND SAVE THESE INSTRUCTIONS

Attention: Pictures in the IM are for reference only.

CAUTION

Read Rules for Safe Operation and Instructions Carefully.

WARNING

1. If the supply cord is damaged, it must be replaced by manufacturer or its service agent or a similarly qualified person in order to avoid a hazard.
2. Indoor use only.
3. To protect against the risk of electrical shock, do not immerse the unit, cord or plug in water or other liquid.
4. This appliance is not intended for use by persons (including children) with reduced physical, sensory or mental capabilities, or lack of experience and knowledge, unless they have been given supervision or instruction concerning use of the appliance by a person responsible for their safety.
Children should be supervised to ensure that they do not play with the appliance.
5. When the appliance is not in use and before cleaning, unplug the appliance from the outlet.
6. When the fan was assembled, the rotor blade guard shall not be taken off anymore.
7.  Correct Disposal of this product
This marking indicates that this product should not be disposed with other household wastes throughout the EU. To prevent possible harm to the environment or human health from uncontrolled waste disposal, recycle it responsibly to promote the sustainable reuse of material resources. To return your used device, please use the return and collection systems or contact the retailer where the product was purchased. They can take this product for environmental safe recycling.

RULES FOR SAFE OPERATION

1. Never insert fingers, pencils, or any other object through the grille when fan is running.
2. Disconnect fan when moving from one location to another.
3. Be sure fan is on a stable surface when operating to avoid overturning.
4. DO NOT use fan in window, rain may create electrical hazard.
5. Household use only.

INSTALLATION INSTRUCTIONS

■ Name of components

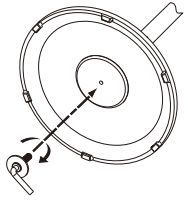
Considerate Hint:

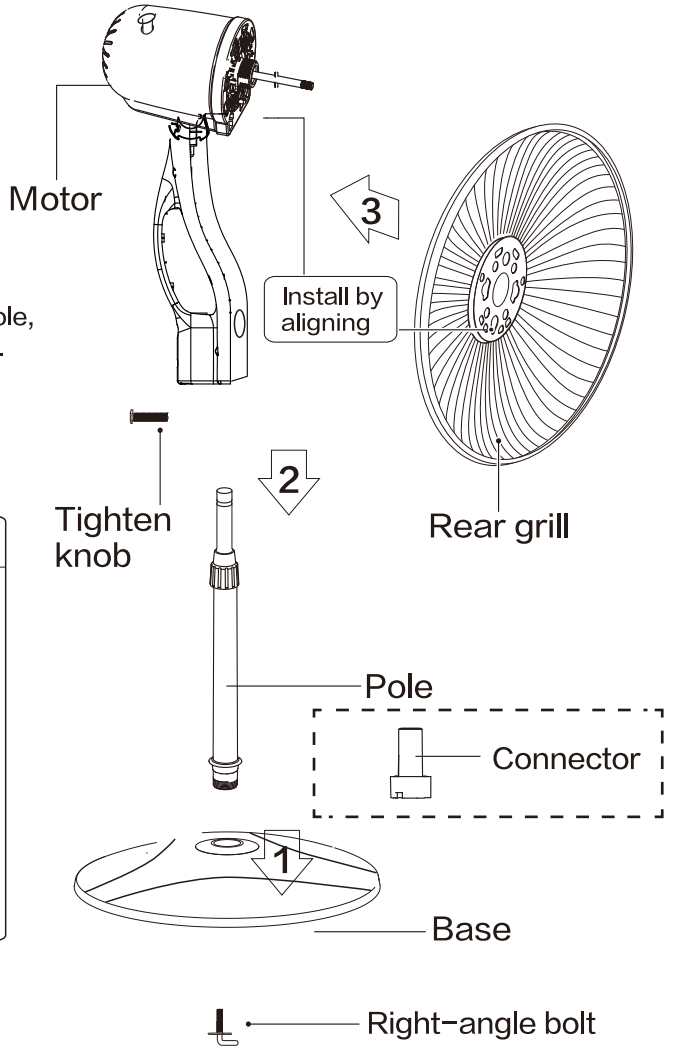
If you choose to install the pole, it will become the Stand Fan.

If you choose to install the connector, it will become the Table Fan.

Base Installation

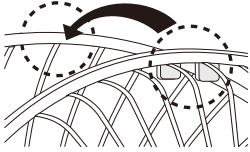
Align the column with the groove on the base and fix them together using a right-angle bolt.



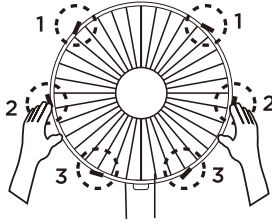


Front and Rear Guard Installation

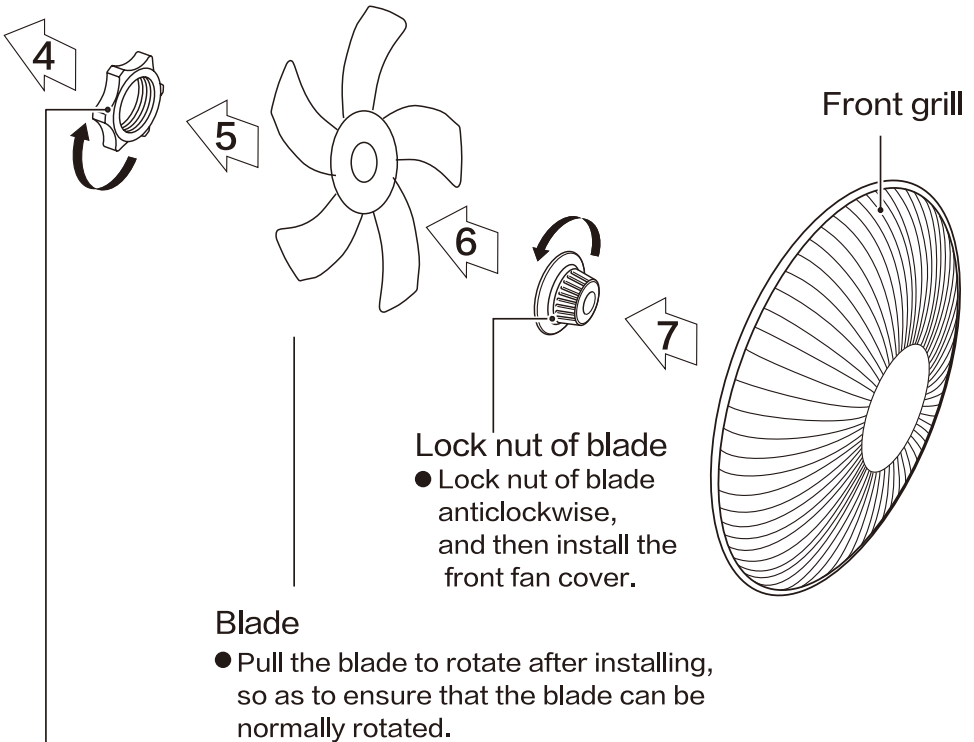
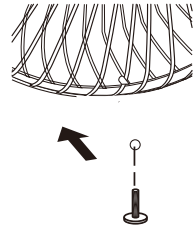
Align the Front Guard and the Rear Guard



Put the grille net to tight the front Guard



Use the screw to fix the grille

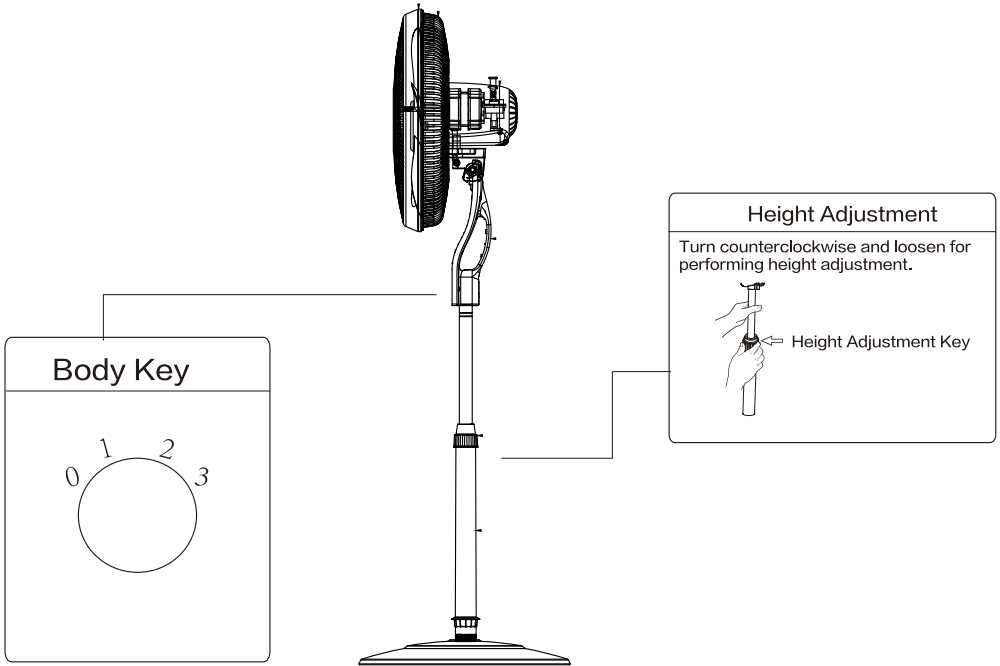


Lock nut of grill

- Screw the lock nut of grill clockwise, and in the meantime, fix the rear grill.

INSTRUCTIONS FOR USE

■ Instructions for operation of body



MAINTENANCE INSTRUCTION

The fan requires little maintenance. Do not try to fix it by yourself. Refer it to qualified service personnel if service is needed.

1. Before cleaning and assembling, fan must be unplugged.
2. To ensure adequate air circulation to the motor, keep vents at the rear of the motor free of dust. Do not disassemble the fan to remove dust.
3. Please wipe the exterior parts with a soft cloth soaking a mild detergent.
4. Do not use any abrasive detergent or solvents to avoid scratching the surface. Do not use any of the following as a cleaner: gasoline, thinner.
5. Do not allow water or any other liquid into the motor housing or interior parts.

CLEANING

1. Be sure to unplug from the electrical supply source before cleaning.
2. Plastic parts should be cleaned with a soft cloth moisten with mild soap. Thoroughly remove soap film with dry cloth.

Environment Friendly Disposal



You can help protect environment
please remember to respect the local regulations
hand in the non-working electrical equipments to
an appropriate waste disposal center

BRÜHM products are intended for household use only

BRÜHM has policy of continuous improvement in
product quality and design. The company, therefore
reserves the right to change the specification of its model at
any time.