



# **BLENDER**

# **INSTRUCTION MANUAL**



**Model no.:BBP-15400PPB**

Read this manual thoroughly before using and save it for future reference



---

## IMPORTANT SAFEGUARDS

When using this electrical appliance, basic safety precautions should always be followed, including the following:

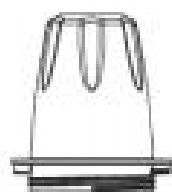
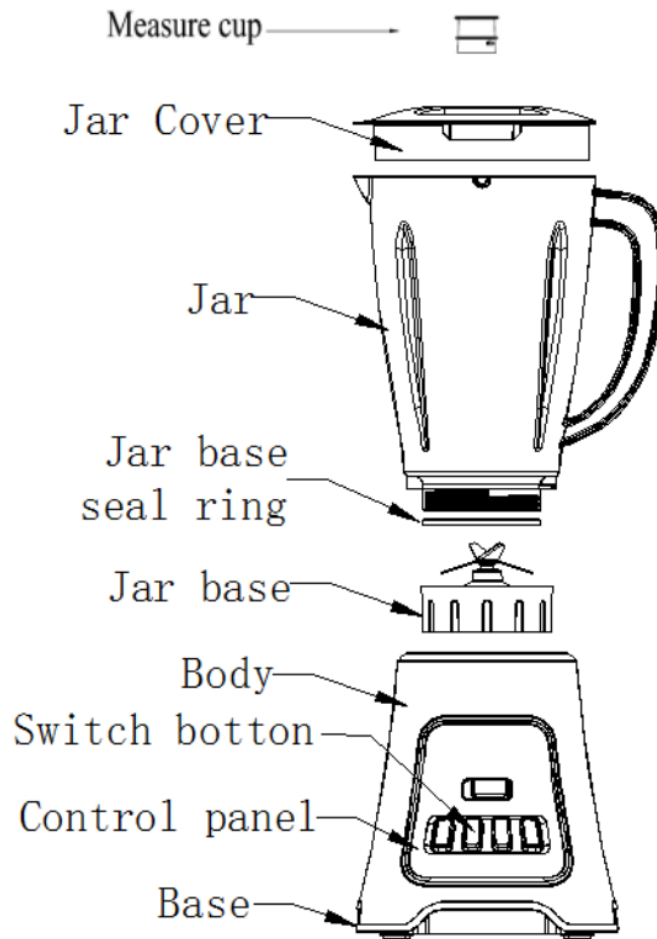
1. Read all instructions.
2. Before using check that the voltage indicated on the product corresponds with the voltage of your electrical outlet.
3. Do not let cord hang on hot surface or over edge of table or counter.
4. Do not operate any appliance with a damaged cord or plug or after the appliance malfunction or has been damaged in any manner. Return the appliance to the nearest authorized service facility for examination, repair or adjustment.
5. If the supply cord is damaged, it must be replaced by the manufacturer or its service agent or a similarly qualified person in order to avoid a hazard.
6. Close supervision is necessary when any appliance is used by or near children.
7. Avoid contacting the moving parts.
8. Keep hands and utensils out of container while blending to reduce the risk of severe injury to persons or damage to the blender. A scraper may be used but must be used only when the blender is not running.
9. The use of attachments not recommended or sold by manufacturer may cause fire, electric shock or injury.
10. Unplug from outlet when not in use, before putting on or taking off parts, and before cleaning. To disconnect, turn any control to “OFF”, then remove plug from wall outlet by grasping the plug, not the cord.
11. To reduce the risk of injury, never place blade assembly on motor unit without the jar properly attached.
12. This appliance shall not be used by children. Keep the appliance and its cord out of reach of children.
13. Appliances can be used by persons with reduced physical, sensory or mental capabilities or lack of experience and knowledge if they have been given supervision

---

or instruction concerning use of the appliance in a safe way and if they understand the hazards involved. Children shall not play with the appliance.

14. Do not leave the machine on unattended.
15. When removing the blender from the motor unit, wait until the blades have completely stopped.
16. Always operate blender with cover in place.
17. Always use the appliance on a secure, dry level surface.
18. Never place this appliance on or near a hot gas or an electric burner or where it could touch a heated appliance.
19. Do not use outdoors.
20. Do not use appliance for other than its intended use.
21. Do not operate without this cover in place;
22. Avoid any contact with blades or movable parts.
23. Switch off the appliance and disconnect from supply before changing accessories or approaching parts that move in use.
24. Always disconnect the appliance from the supply if it is left unattended and before assembling, disassembling or cleaning.
25. This appliance is intended to be used in household and similar applications such as:
  - staff kitchen areas in shops, offices and other working environments;
  - farm houses;
  - by clients in hotels, motels and other residential type environments;
  - bed and breakfast type environments.
26. Care shall be taken when handling the sharp cutting blades, emptying the bowl and during cleaning.
27. Be careful if hot liquid is poured into the appliance as it can be ejected out of the appliance due to a sudden steaming.

# HOUSEHOLD USE ONLY



Grinder Jar



Jar base seal ring



Grinder Jar base

## BEFORE THE FIRST USE

Check that all parts are complete and not damaged. Choose the appropriate attachment to perform your desired task. The blender attachment is suitable for blending fruits or vegetables or crushing ice, while the grinder attachment for grinding coffee beans. Clean the attachment according to the section “CLEANING AND MAINTENANCE”.

**WARNING:** *The blade is sharp, handle with great care and ensure that unplug the appliance from outlet before assembling and removing parts.*

## BLENDER OPERATION

1. Lay the motor unit on the flat horizontal surface and make sure it is unplugged.

**NOTE:** *There is a safety interlock device at the bottom of jar, if the jar is not assembled in place, the blender will not operate*

2. Open the jar cover by turning anticlockwise and place it on the surface. Peel or core the fruits or vegetables and then cut it into small pieces, then put them into the jar. Usually certain amount of purified water has to be added to facilitate the smooth running of appliance. The amount of mixture should not exceed the max level as indicated on the jar, nor sit lower the min level. The best proportion of the fruits or vegetables and water is 2:3.

## RECIPE

FOOD TYPE	SPEC	WEIGHT	SPEED
Carrot (apple, pear etc. )	Cut into 15mm*15mm*15mm	Carrot: 600g Water: 900g	High speed
Carrot (apple, pear etc. )	Cut into 6mm*6mm*6mm	Carrot: 50g Water: 150g	Low speed

**NOTE:** *The blender is not applicable for beating egg white, mashing potatoes, mixing dough, extracting juice from fruit and vegetable.*

3. Replace jar cover on the jar and turn it clockwise.

**NOTE: There is a safety interlock device at the side of jar cover, if the jar cover is not assembled in place, the blender will not operate.**

4. You may add ingredients into the jar through the center opening of jar cover during operation, then replace measuring cup if necessary. Let the tabs of measuring cup aligns with the grooves of jar cover, put down and turn the measuring cup by clockwise until it in place.

5. Ensure the **Speed Selector** to “ **OFF**” Position, then plug into power outlet and set **Speed Selector** to your desired setting. You can press down the **Pulse button** without releasing it if want to accelerate the process of blending. The detailed information is shown in below fig. 2

**NOTE: Make sure the jar cover is placed in position completely before operating, and never open the jar cover during operation. In addition, for the sake of consistency, you can use the stir stick to stir mixture through the opening in the center of the measuring cup.**

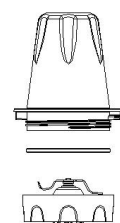
6. Do not run the appliance for more than 2 minutes per time, and only wait until the unit is cooled to room temperature before performing next operation cycle.

7. Turn the jar anti-clockwise and remove it from the motor unit, carefully take down the jar cover, then pour and serve.

## GRINDER OPERATION

1. Place the motor unit on the flat horizontal surface and make sure it is unplugged.

2. Fill the grinding bowl with proper coffee bean, then assemble the grinding blade assembly and grinding bowl together. Please see Fig.3

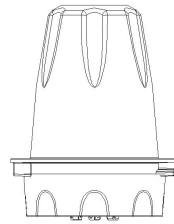


**Fig.3**

**NOTE: The quantity of coffee bean the grinding bowl allows to grind is Max 35g.**

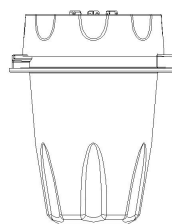
3. Place the grinder attachment on the motor unit, Please see Fig. 4

**NOTE:** *There is a safety interlock device at the bottom of grinder, if the grinder is not assembled in place, the chopper will not operate.*



**Fig.4**

4. Ensure the **Speed Selector** to “**OFF**” Position, then plug into power outlet.
5. Select the fastest speed setting, the appliance will start grinding. During grinding, you can press down the **Pulse** without releasing it if want to accelerate the process of grinding.
6. Turn the **Speed Selector** to “**OFF**” Position once the coffee has been ground to your desired result.
7. Disconnect from power supply once finished. Disassemble the grinder attachment from the unit, keep the grinding bowl downward and turn it anticlockwise (see fig.5), then empty the bowl and serve.
8. Do not run the appliance for more than 15 second per time, and only wait until the unit is cooled to room temperature before performing next operation cycle.



**Fig.5**

## **WARNING:**

1. Blades are very sharp. Handle with care.
2. Do not operate without the jar cover in place.
3. Do not disassemble the jar or bowl from the jar base or bowl base in general condition.



4. This appliance can be used by children aged from 8 years and above and persons with reduced physical, sensory or mental capabilities or lack of experience and knowledge if they have been given supervision or instruction concerning use of the appliance in a safe way and understand the hazards involved. Children shall not play with the appliance. Cleaning and user maintenance shall not be made by children without supervision.
5. Blending maximum level load or hard fruits and vegetables must be sure that the speed selector is setting at highest speed (speed 6). If the speed is used too low, the motor will be damaged due to insufficient torque. When the motor speed is found to be too slow, you must immediately use a higher speed setting to blend or turn the speed selector to “OFF” to stop blend!

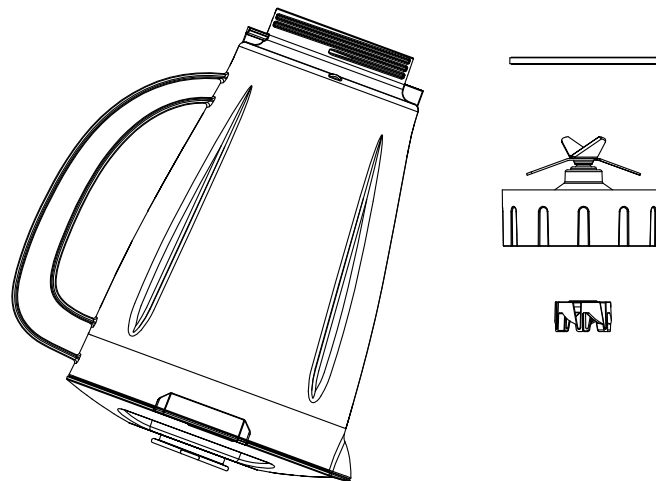
## CLEANING AND MAINTENANCE

Make sure to disconnect appliance from power supply before cleaning

### **For blender**

The Auto Clean function can clean the blender easily and rapidly in complete safety.

1. Pour a little warm soapy water into the Jar and turn the **Speed Selector** to “1” position and press down the **Pulse button** without releasing it for a few seconds.
2. Dismantle all detachable parts. Disassemble the Jar from the motor unit and rinse it under running water, then detach the blade assembly from the jar assembly, take the blade assembly out, finally remove the jar base seal ring . In addition, detach the measure cup from the jar cover. Rinse the jar, blade, jar base, jar cover and measuring cup under running water.



3. Wipe the outer surface of motor unit and with a damp cloth.

***NOTE: Do not use abrasive cleanser and never immerse motor unit in water for cleaning***

4. Dry all parts and then assemble them. The method of assembling blender attachment just is in opposite of its detaching sequence.

***NOTE: If any problem has been encountered during using, never disassemble the Motor Unit by yourself. There are no user serviceable parts inside. Only contact the authorized service facility for examination and repair.***



## Environment Friendly Disposal



*You can help protect the environment!  
Please remember to respect the local regulations:  
hand in the non-working electrical equipments to  
an appropriate waste disposal center.*

BRUHM products are intended household use only

BRUHM has policy of continuous improvement in product quality and design. The company, therefore reserves the right to change the specification of its model at any time.